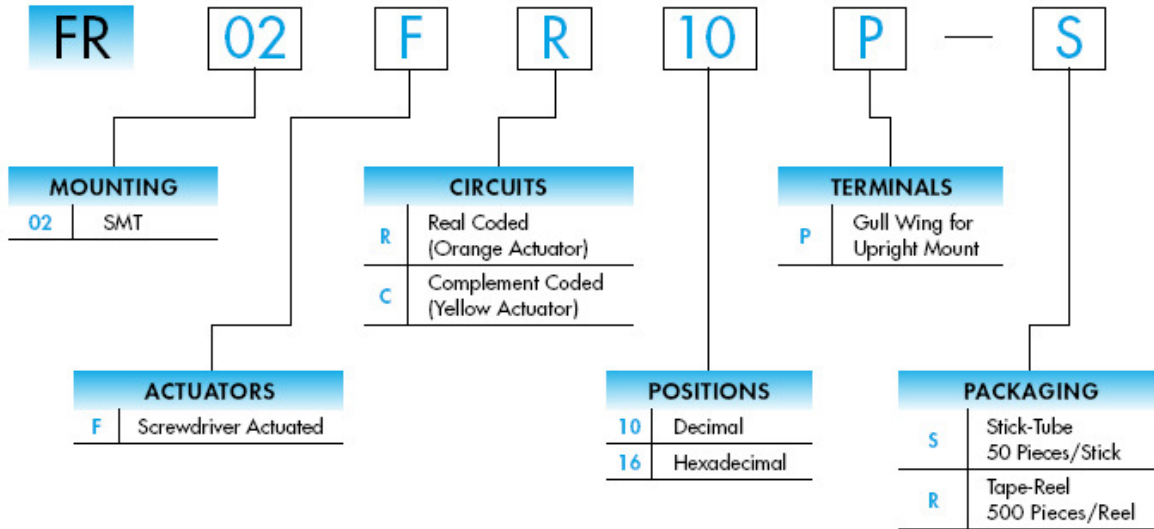


CERTIFICATE OF RoHS ENVIRONMENTAL COMPLIANCE

This Certificate of RoHS Environmental Compliance applies to the following listed part number(s):



Compliant Date: Always
Exemptions: None

As of the date set forth below, each of the foregoing parts is in compliance with the requirements of the current RoHS Directive 2002/95/EC, including the exemptions currently in effect.

We certify that none of the substances regulated by the current RoHS Directive 2002/95/EC exceed the levels specified in the directive at the homogeneous material level.

I certify that I am authorized to execute this Certificate on behalf of NKK Switches of America, Inc. and that the information contained herein is true and correct to the best of my knowledge, information, and belief.

Dan Cuddihy

Dan Cuddihy
Reliability Engineer
NKK Switches of America, Inc.

Date: 05/28/2009